

SST25VF512A-33-4C-SAE

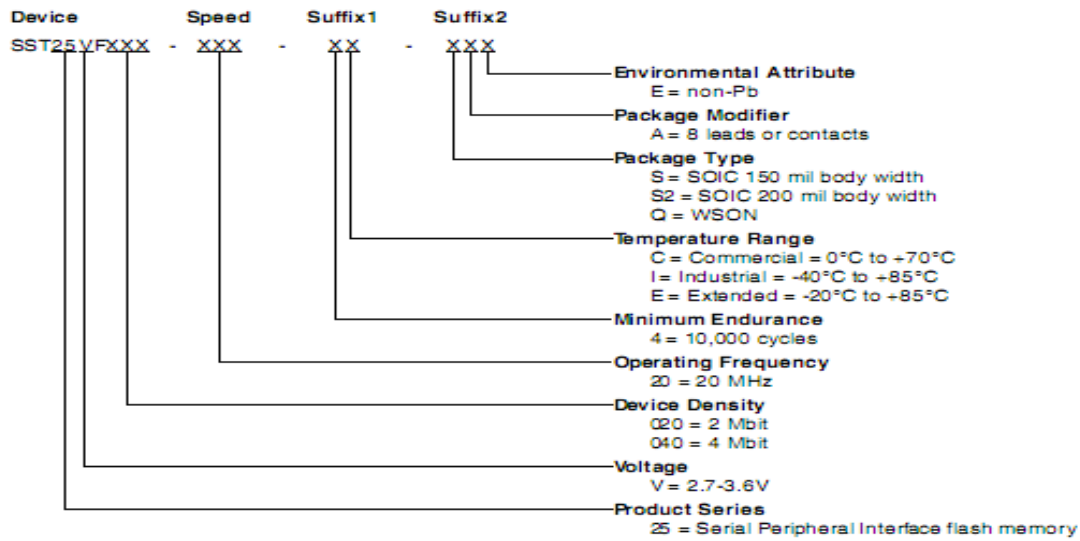
产品技术参数资料 PB 标准

2 Mbit / 4 Mbit SPI Serial Flash
SST25VF020 / SST25VF040



Data Sheet

PRODUCT ORDERING INFORMATION



Valid combinations for SST25VF020

SST25VF020-20-4C-SA	SST25VF020-20-4C-QA
SST25VF020-20-4C-SAE	SST25VF020-20-4C-QAE
SST25VF020-20-4I-SA	SST25VF020-20-4I-QA
SST25VF020-20-4I-SAE	SST25VF020-20-4I-QAE
SST25VF020-20-4E-SA	SST25VF020-20-4E-QA
SST25VF020-20-4E-SAE	SST25VF020-20-4E-QAE

Valid combinations for SST25VF040

SST25VF040-20-4C-S2A	SST25VF040-20-4C-QA
SST25VF040-20-4C-S2AE	SST25VF040-20-4C-QAE
SST25VF040-20-4I-S2A	SST25VF040-20-4I-QA
SST25VF040-20-4I-S2AE	SST25VF040-20-4I-QAE
SST25VF040-20-4E-S2A	SST25VF040-20-4E-QA
SST25VF040-20-4E-S2AE	SST25VF040-20-4E-QAE

Note: Valid combinations are those products in mass production or will be in mass production. Consult your SST sales representative to confirm availability of valid combinations and to determine availability of new combinations.



深圳市宝星微科技有限公司

深圳市福田区华强北路华强广场 C 座 15K

www.sst-ic.com

0755-82534567